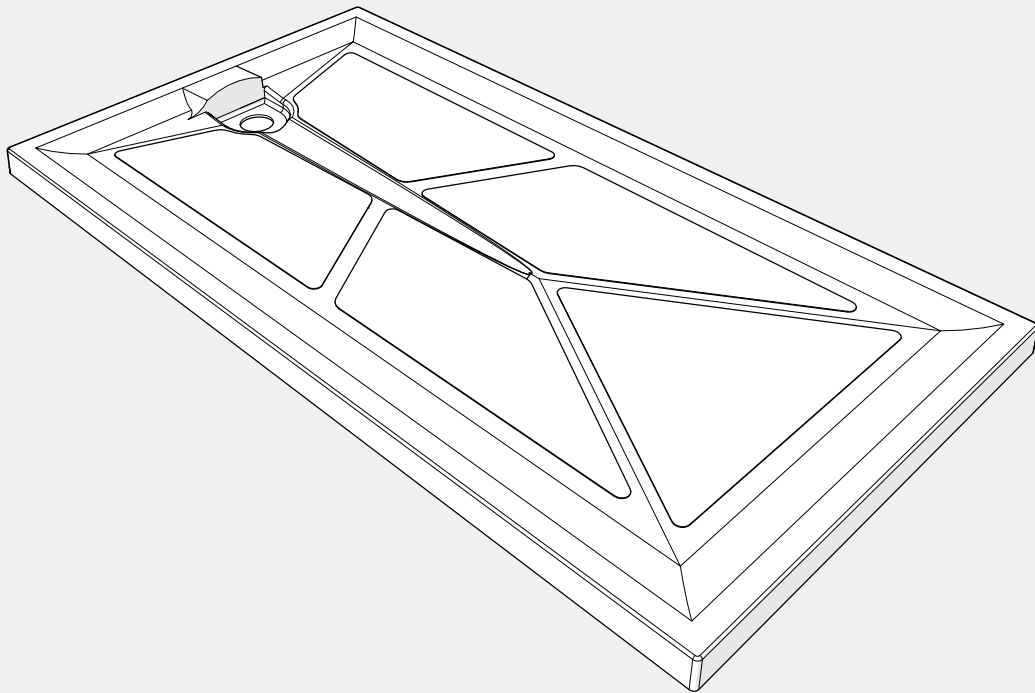


# Braddan Shower Tray

INSTALLATION AND USER CARE INSTRUCTIONS



Please read all instructions before installation and leave this document with the end user for future reference as it contains important warranty information

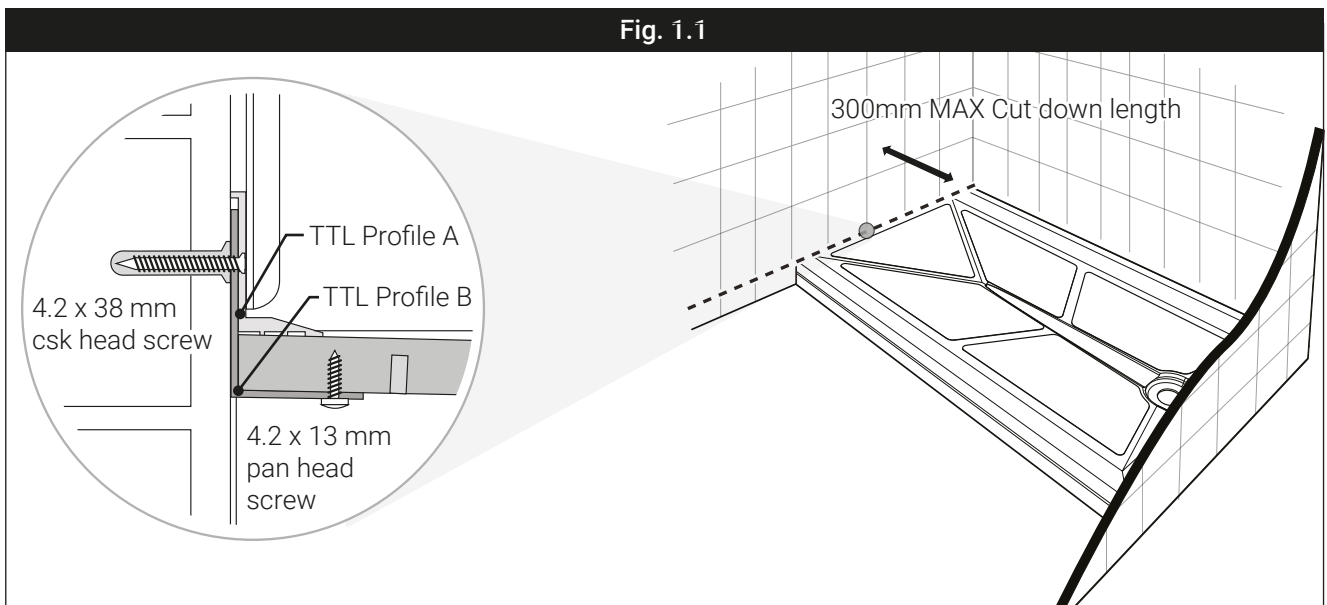
Determine the installation type and waste arrangement. Read the rest of these instructions before starting the installation. Pumped wastes are suitable for both breachable and unbreachable floors. Gravity wastes can be used only if the floor is breachable.

## 1. Optional - Cut 1800 mm tray to length

1800 mm long trays can be shortened along the length. Up to 300 mm can be trimmed off the end opposite the waste. Cut trays are suitable only for alcove installations.

Measure the distance between the walls and allow for the thickness of TTL (Trim To Length) profile B. See Fig. 1.1. Using a fine-toothed blade, cut the tray in a direction which does not chip the top face of the tray. Cut both TTL profiles to the correct size.

Apply mastic tape to the underside of the tray where TTL profile B will contact it. Screw TTL profile B to the tray using 4.2 x 13 mm pan head screws, ensuring that there is no gap between the cut face of the tray and the profile.



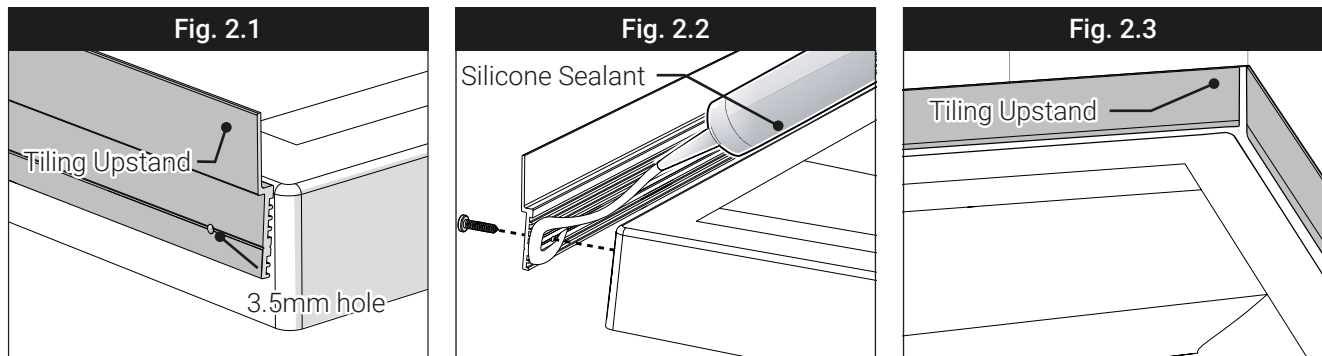
## 2. Tiling Upstand

An area of the tiling upstand and tray may need to be cut away in order to accommodate the waste pipe's routing. Read ahead to see the waste pipe installation. Cut the relevant sections out before fixing the tiling upstand to the tray.

Place the tiling upstand against the tray, Fig. 2.1. The small flat area of the upstand should be flush with the flat area around the edge of the tray.

Drill 3.5 mm holes through the upstands and into the tray using the groove as a guide. Open the holes in the upstands out to 4.5 mm.

Apply silicone sealant along the upstands, Fig. 2.2. Screw the upstands to the tray using 4.2 x 19 mm pan head screws.



## 3. Tray height options

### 3.1. Option 1 - Fully recessed

Place the tray onto the floor and push it up against the walls. For cut down 1800 mm trays in alcoves, the cut end should be pushed against the wall. Mark the floor along the exposed edge(s) of the tray.

Remove the tray. Cut along the marking and remove the floor material to create the recess into which the tray will go. The depth of the recess should result in the top of the tray being flush with the finished floor, i.e., once tiles or flooring have been put down.

Check to see that the tray is level in all directions. Perform any levelling corrections to the floor area if necessary.

Drill holes in the upstands and walls as described in step 4 before continuing with this step.

Trays that use a pumped waste have a part that covers the water collection pool. Trays that use a gravity waste have a hole where the waste will go.

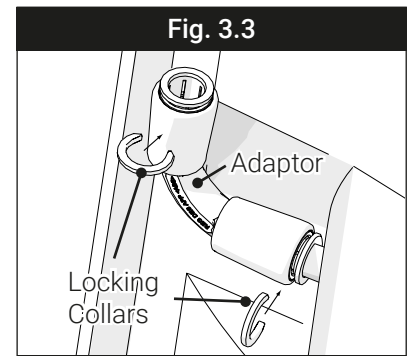
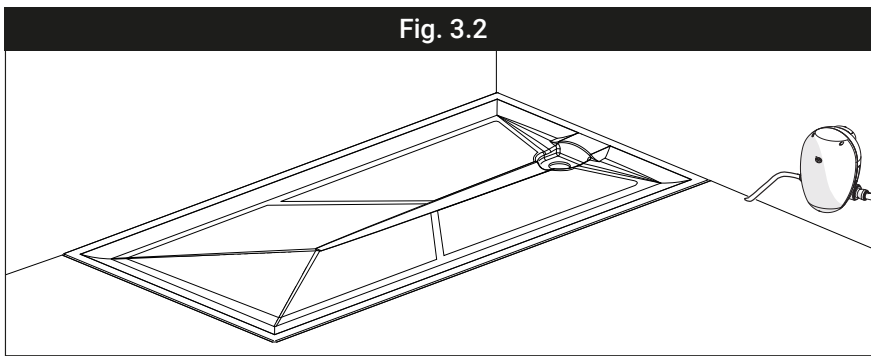
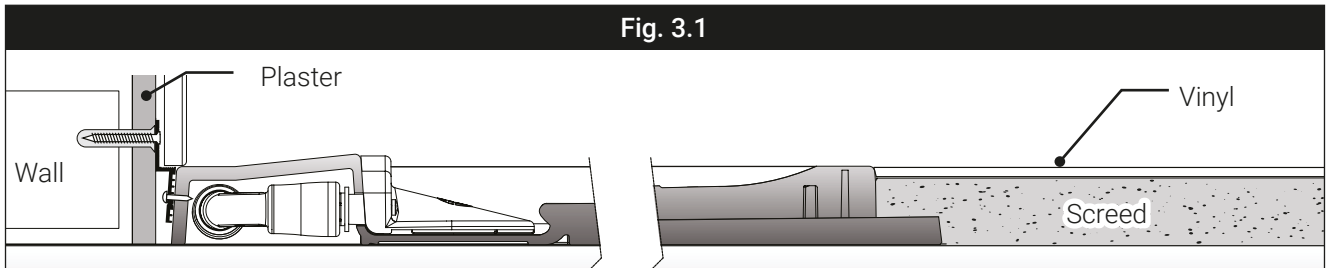
If using a pumped waste, determine the waste pipe routing and then cut a hole in the side of the tray to route the waste pipe through. Attach the waste pipe adapter (Fig. 3.3) and waste pipe, then press the locking collars into place.

If using a gravity waste, attach the waste pipe to the waste. If the waste pipe needs to be routed through joists, through holes should be made instead of notches.

# Installation

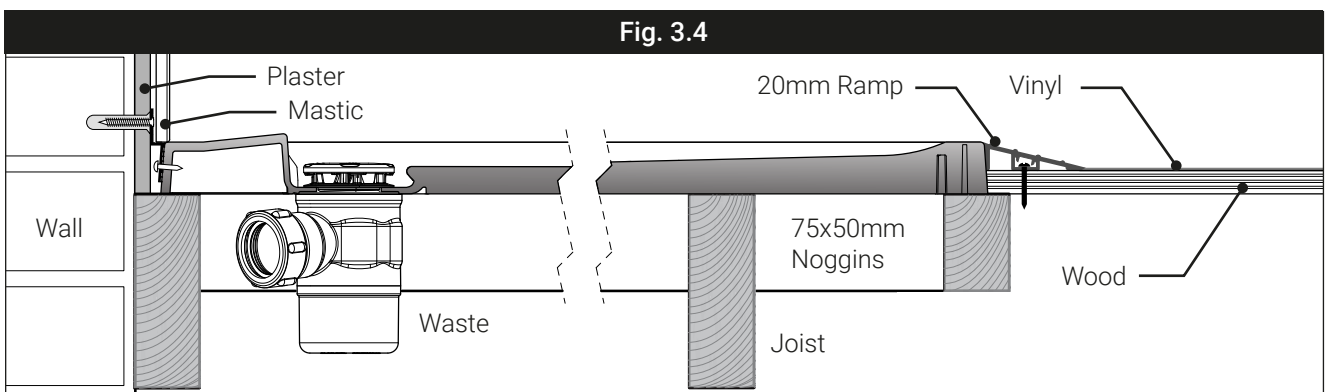
Consider applying something to mask the edges of the tray with in order to avoid scratching it as it is placed into the recess.

Seat the tray on a screed base if appropriate. Place the tray into position in the recess and attach the remaining parts of the waste if necessary.



## 3.2. Option 2 - Semi-recessed

Perform step 3.1 but change the depth of the recess. If a 20 mm Braddan ramp will be used, match the height of the tray to the ramp's final position, i.e. on the flooring or directly on the floor boards/screed/etc.



### 3.3. Option 3 - On floor

Place the tray onto the floor and push it up against the walls. For cut down 1800 mm trays in alcoves, the cut end should be pushed against the wall.

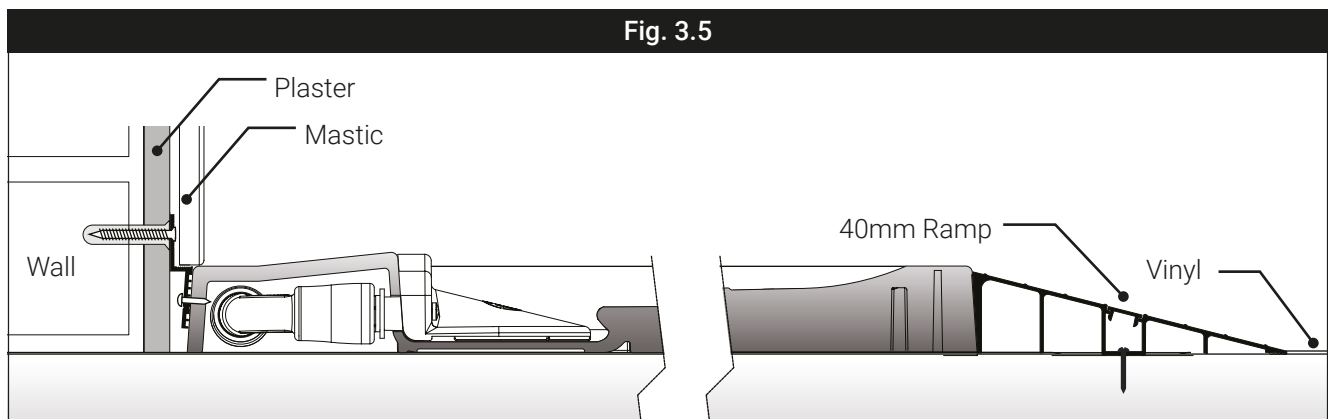
Check to see that the tray is level in all directions. Perform any levelling corrections to the floor area if necessary.

Drill holes in the upstands and walls as described in step 4 before continuing with this step.

If using a pumped waste, determine the waste pipe routing and then cut a hole in the side of the tray to route the waste pipe through. Attach the waste pipe adapter (Fig. 3.3) and waste pipe, then press the locking collars into place.

If using a gravity waste, attach the waste to the waste pipe.

Seat the tray on a screed base if appropriate. Place the tray into position and attach the remaining parts of the waste if necessary.



### 4. Fix upstands to wall

Place the tray onto the floor and push it up against the walls.

For cut down trays, place TTL (Trim To Length) profile A onto the tray and push it up against profile B. Drill 4.5 mm holes through both TTL profiles using the groove as a guide, and very lightly touch the wall behind the profiles to indicate the holes' positions in the wall. (Fig. 1.1)

For the tray's edges with tiling upstands, determine the appropriate type of fixing for the wall. Drill clearance holes through the tiling upstand and very lightly touch the wall to indicate the holes' positions in the wall.

Remove the tray and then drill holes in the walls. Insert wall plugs or other fixings as appropriate.

# Installation

For the end with TTL profiles, insert the supplied wall plugs if they are suitable for the wall.

For improved waterproofing, apply mastic tape to the front and backsides of the tiling upstands.

Return to step 3.

The tray should now be in its final position. Screw the tiling upstands and TTL profiles to the walls using appropriate fixings.

Apply silicone sealant to the underside of TTL profile A, and then press onto the tray and wall. Fasten profile A down using 4.2 x 38 mm countersunk screws.

Fill the gap between the upstands at the tray's corner(s) with silicone sealant.

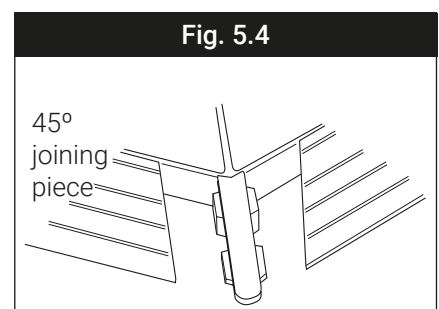
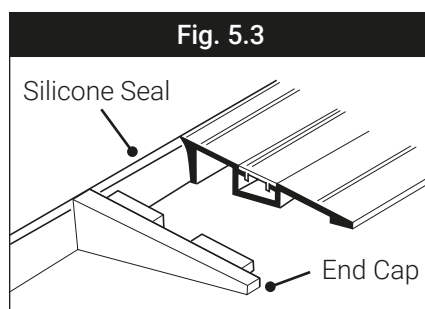
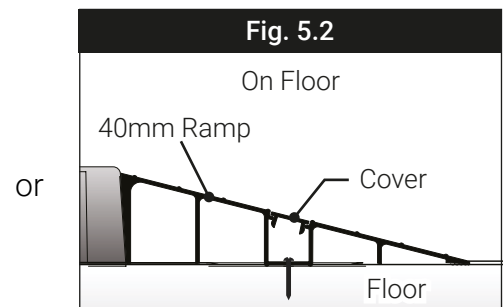
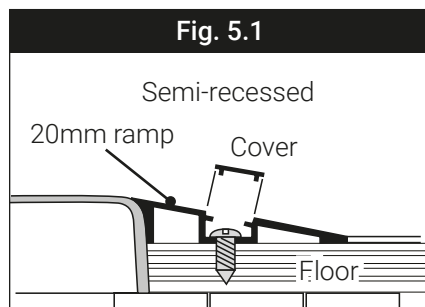
## 5. Ramps

Cut the ramp to size if necessary. Place the ramp on the floor up against the tray. Drill holes into the floor through the channel in the ramp.

Remove the ramp and insert suitable fixings into the floor. Open the holes in the ramp out to clearance holes.

Apply silicone sealant to the face of the ramp that contacts the tray. Replace the ramp and screw down.

Insert the snap-in cover into the screw channel. Apply silicone sealant to the end caps and corner joining piece (if present), then insert them.



## After Care

Provided that the shower tray has been correctly installed, difficulties should not be encountered. If any maintenance is required, it must be carried out by a competent installer.

It is advised that this product is cleaned regularly as part of a routine maintenance regime.

Always rinse the shower tray down using warm water after every wash to remove any insoluble products. If you use hair dye, immediately rinse the shower tray with soap and water.

For routine cleaning, use hot soapy water or a mild detergent and a soft cloth to wash and rinse the showering area. Never use abrasive cloths or any aggressive cleaning materials to clean the showering area. Do not use industrial cleaners that have abrasive or harsh chemical properties as this could affect the surface finish.

The surface of this shower tray should never directly come into contact with strong industrial acids or alkalis, organic solvents, caustic soda, lacquers or nail polishes, bleaches or any dry powder cleaning agents. Do not use paint strippers or stain removers to remove any stubborn staining. If more thorough cleaning is needed using domestic cleaning products always test on a small area first.

# Contact Us

**AKW**  
Life Made Better

## Orders & Quotes

01905 823 299  
orders@akw-ltd.co.uk

## General Enquiries

01905 823 298  
sales@akw-ltd.co.uk

## Technical Enquiries

01905 560 219  
tech@akw-ltd.co.uk

## Kitchen Enquiries

01905 823 262  
kitchens@akw-ltd.co.uk

## Fax

01905 823 297

## AKW

Pointon Way, Hampton Lovett  
Droitwich Spa, WR9 0LR

[www.akw-ltd.co.uk](http://www.akw-ltd.co.uk)  
[orders.akw-ltd.co.uk](mailto:orders.akw-ltd.co.uk)

## Follow us on Social:



## Guarantee

The life time guarantee applies only to manufacturing or material defects, conditional on the one-time correct installation of the product.

Does not apply to:

- Inappropriate use or accidental damage.
- Damage or defects that result from incorrect installation.
- Lack of maintenance including the build up of grime or damage resulting from inappropriate cleaning.
- Damage or defects that result from repairs or modifications undertaken by unauthorised persons.
- This guarantee excludes general wear and tear through usage and does not apply to surface finishes.

## What to do if something goes wrong?

In the event that you should encounter a problem with this product, please contact your local installer and if this does not resolve the issue, then contact AKW technical team who will provide further advice and, if necessary, arrange for a maintenance engineer to visit and report any issues. See the T&Cs on our website or our catalogue for further information. None of the foregoing affects your statutory rights.